

XA1
Arduino_Mega2560_Shield

Fuel & Ignition



File: Fuel_Ignition.kicad_sch

Inputs



File: inputs.kicad_sch

Power



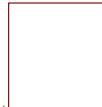
File: power.kicad_sch

Connector



File: connector.kicad_sch

Outputs



File: outputs.kicad_sch

Proto Area



File: proto.kicad_sch

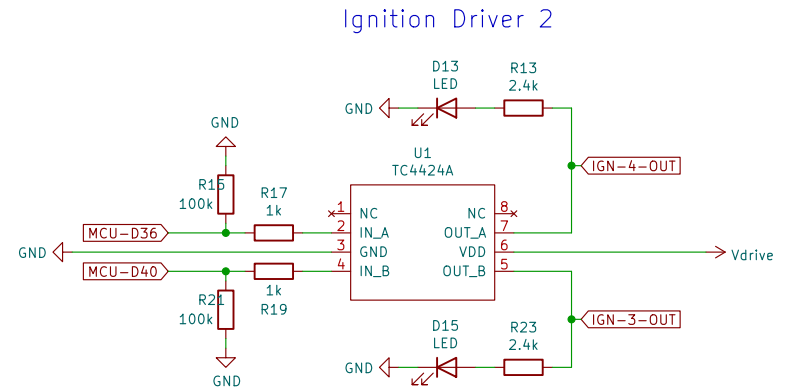
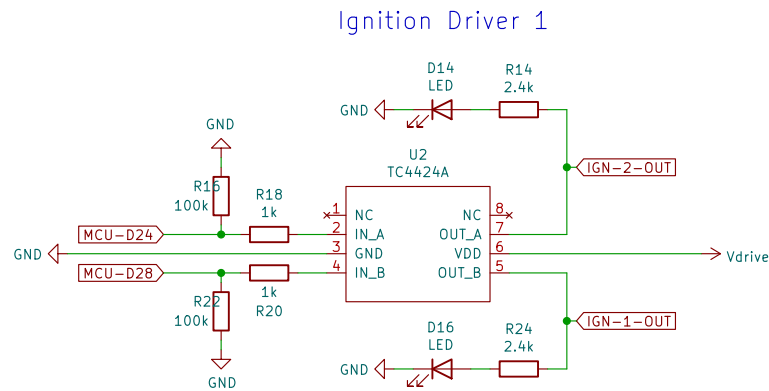
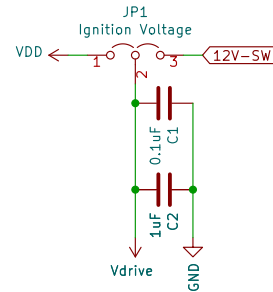
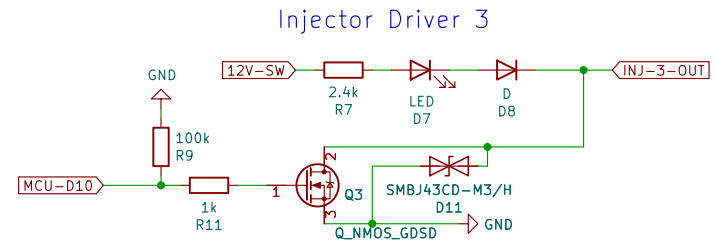
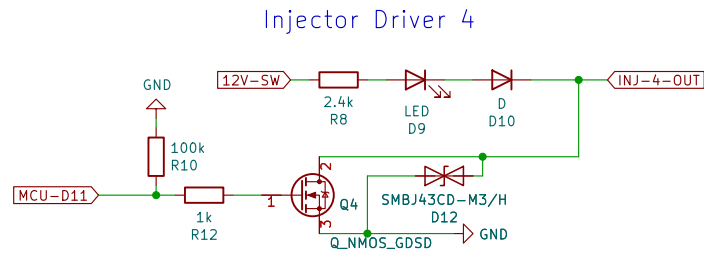
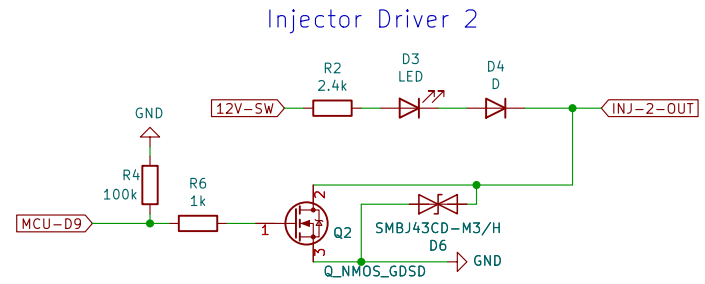
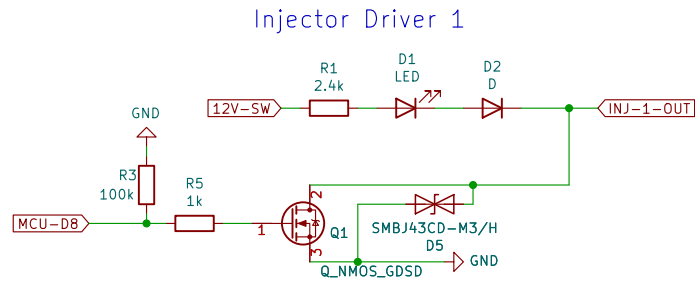
Speeduino

Sheet: /
File: Speeduino-0.3SMD.kicad_sch

Title: 0.3

Size: A4 Date: 2022-11-02
KiCad E.D.A. kicad (6.0.8)

Rev: A
Id: 1/7



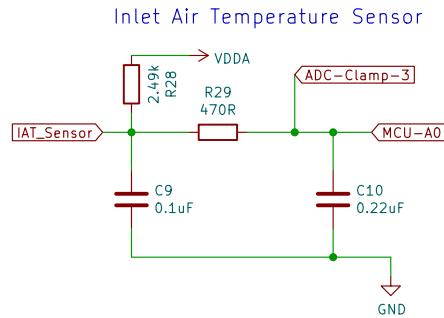
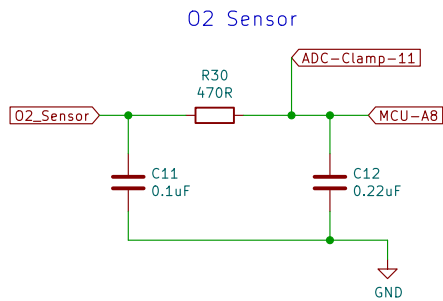
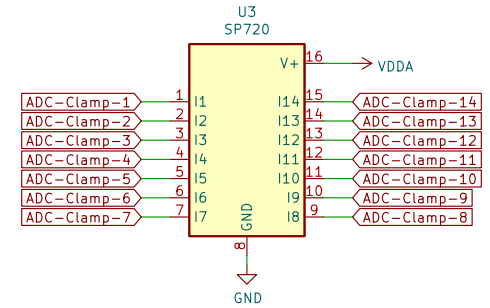
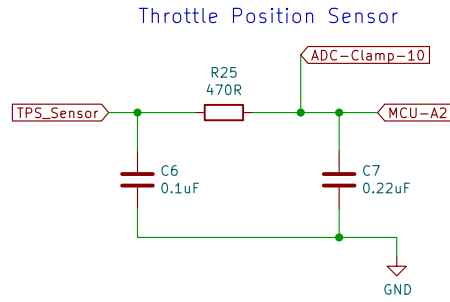
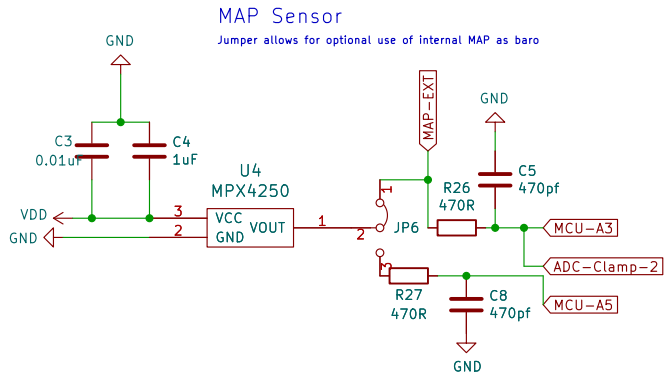
Speeduino

Sheet: /Fuel & Ignition/
File: Fuel_Ignition.kicad_sch

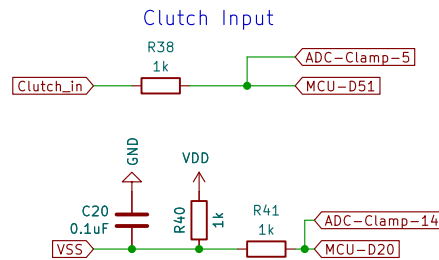
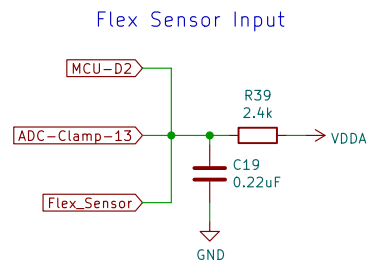
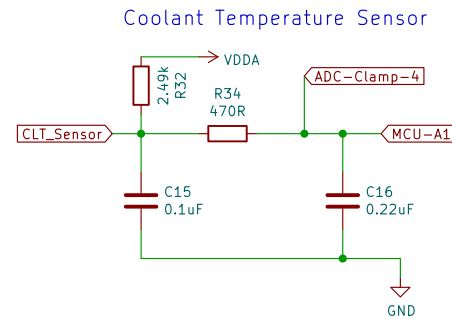
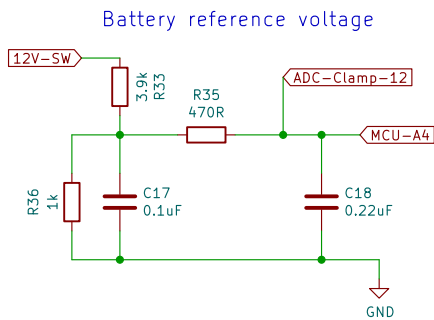
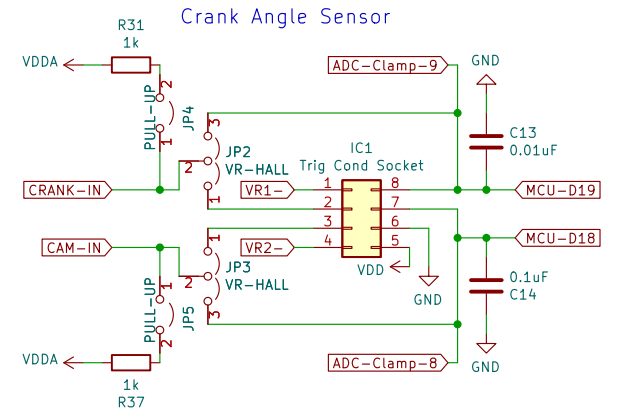
Title: 0.3

Size: A4 Date: 2022-11-02
KiCad E.D.A. kicad (6.0.8)

Rev: A
Id: 2/7



ADC-Clamp-4



Speeduino

Sheet: /Inputs/
File: inputs.kicad_sch

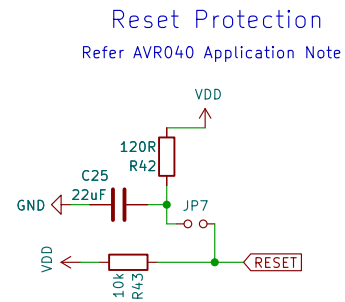
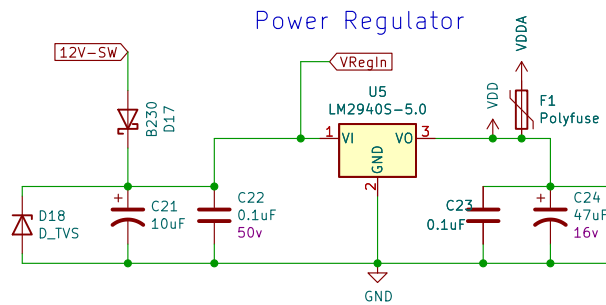
Title: 0.3

Size: A4 Date: 2022-11-02

KiCad E.D.A. kicad (6.0.8)

Rev: A

Id: 3/7



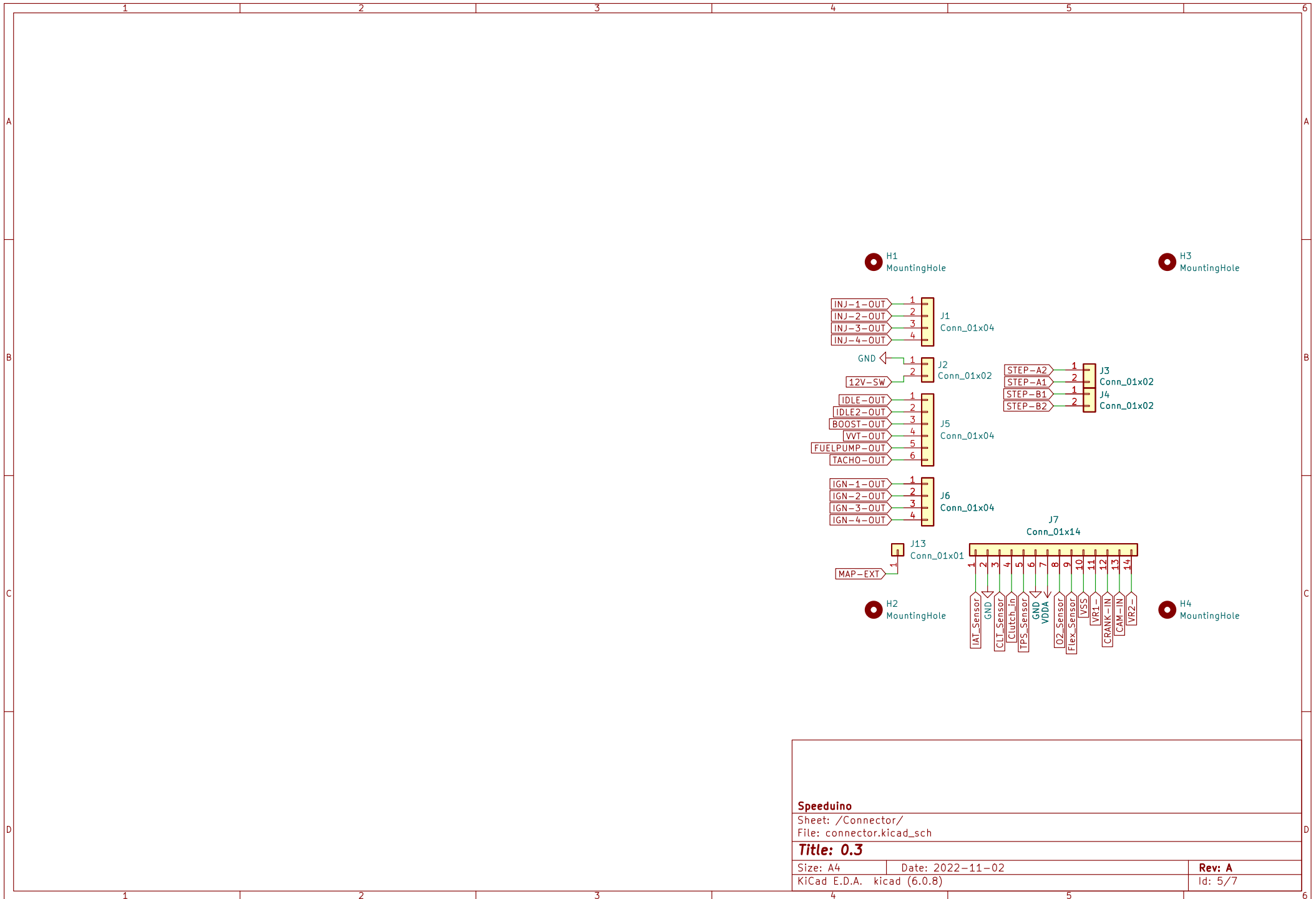
Speeduino

Sheet: /Power/
File: power.kicad_sch

Title: 0.3

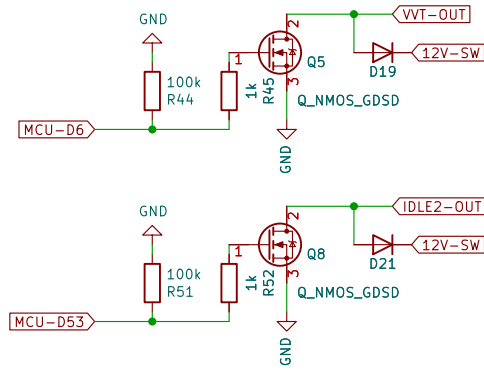
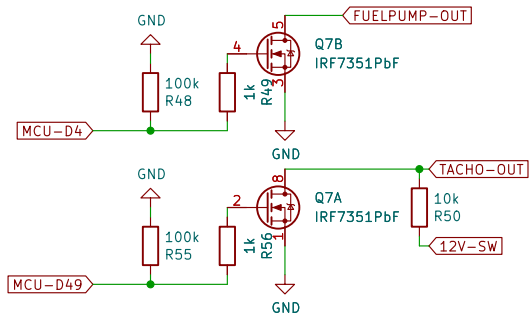
Size: A4 Date: 2022-11-02
KiCad E.D.A. kicad (6.0.8)

Rev: A
Id: 4/7

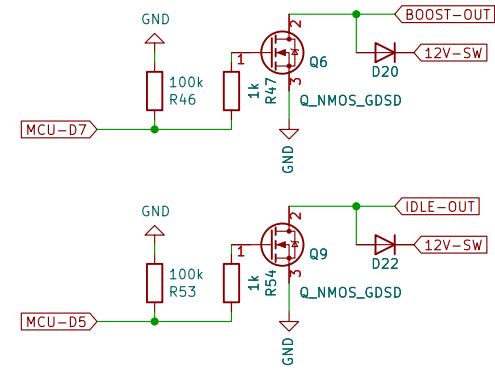


Speeduino	
Sheet: /Connector/	
File: connector.kicad_sch	
Title: 0.3	
Size: A4	Date: 2022-11-02
KiCad E.D.A. kicad (6.0.8)	Rev: A
	Id: 5/7

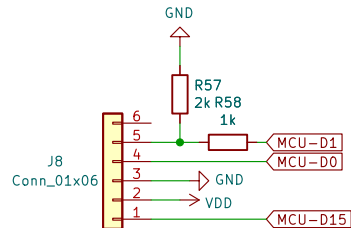
PWM Idle and Boost outputs
Spare High Current outputs



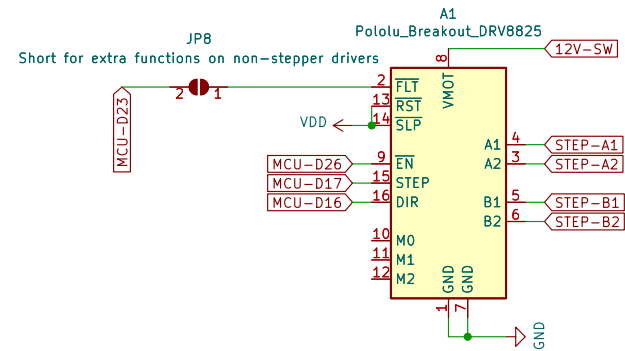
High Current Spare Outputs



HC-05 Bluetooth Connector



Stepper Idle



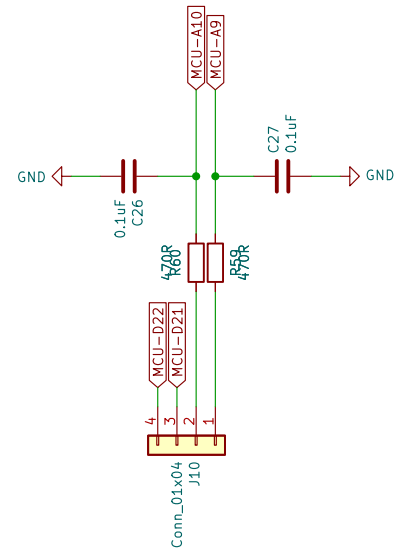
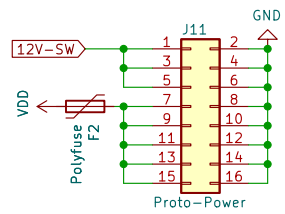
Speeduino

Sheet: /Outputs/
File: outputs.kicad_sch

Title: 0.3

Size: A4 Date: 2022-11-02
KiCad E.D.A. kicad (6.0.8)

Rev: A
Id: 6/7



Speeduino

Sheet: /Proto Area/
File: proto.kicad_sch

Title: 0.3

Size: A4 | Date: 2022-11-02
KiCad E.D.A. kicad (6.0.8)

Rev: A
Id: 7/7