

Fuel & Ignition



File: Fuel\_Ignition.kicad\_sch

Inputs



File: inputs.kicad\_sch

Power



File: power.kicad\_sch

Connector



File: connector.kicad\_sch

Outputs



File: outputs.kicad\_sch

Proto Area



File: proto.kicad\_sch

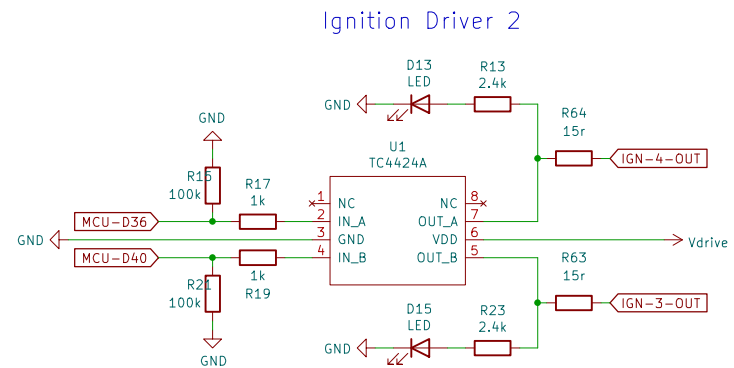
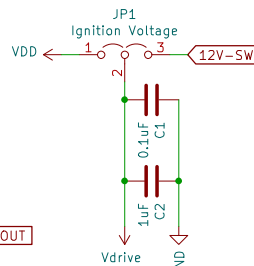
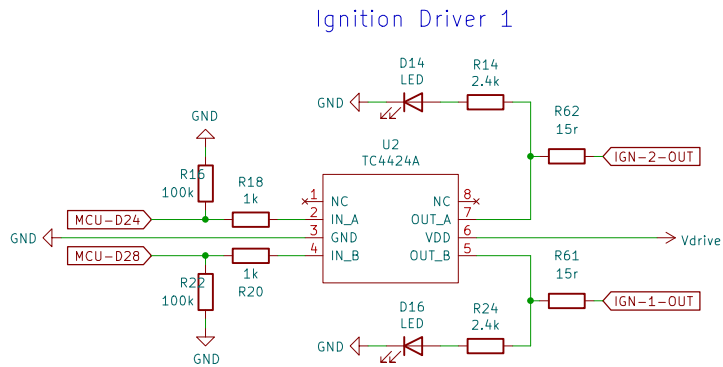
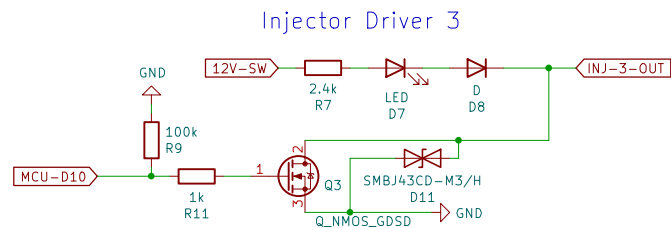
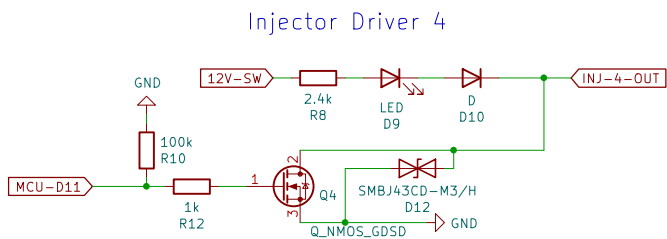
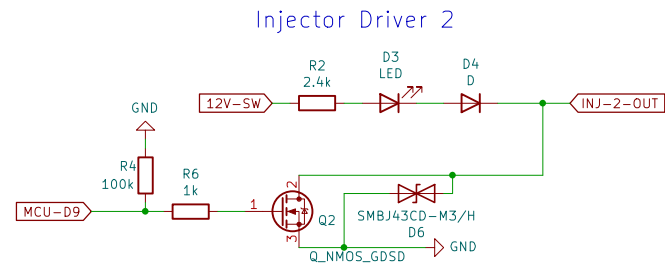
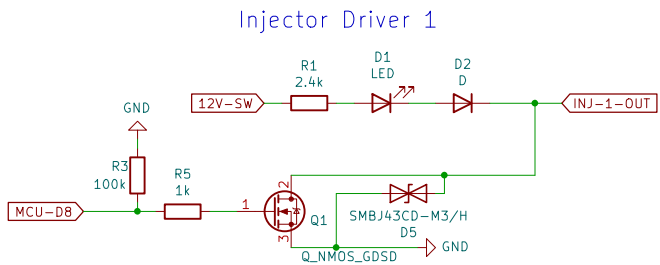
**Speeduino**

Sheet: /  
File: Speeduino-0.3.B.kicad\_sch

**Title: 0.3**

Size: A4 Date: 2024-05-05  
KiCad E.D.A. 8.0.2

**Rev: B**  
Id: 1/7



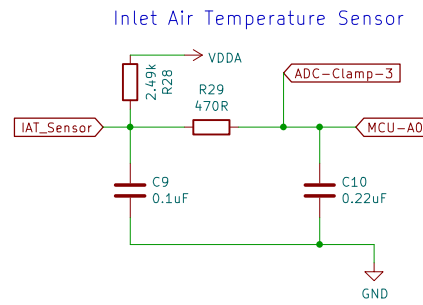
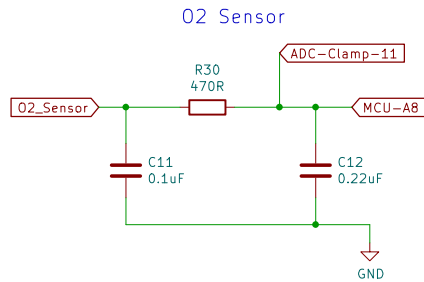
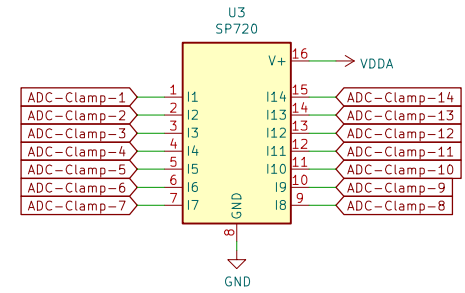
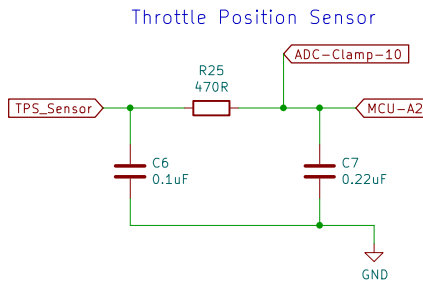
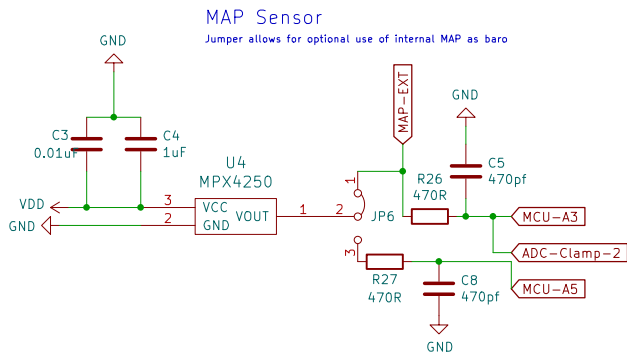
**Speeduino**

Sheet: /Fuel & Ignition/  
File: Fuel\_Ignition.kicad\_sch

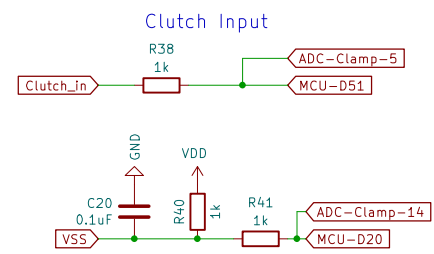
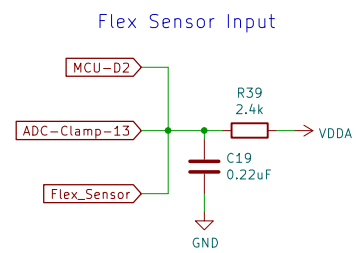
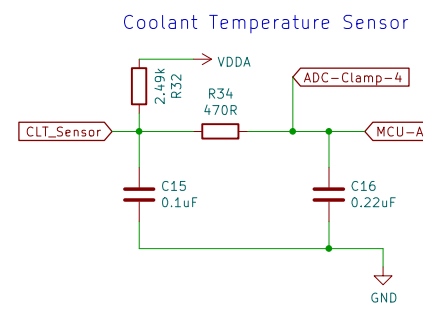
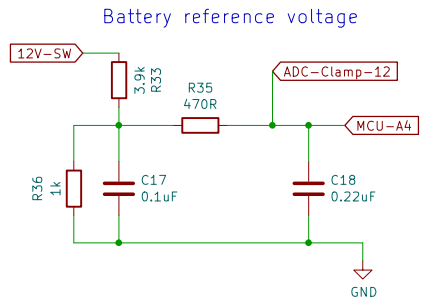
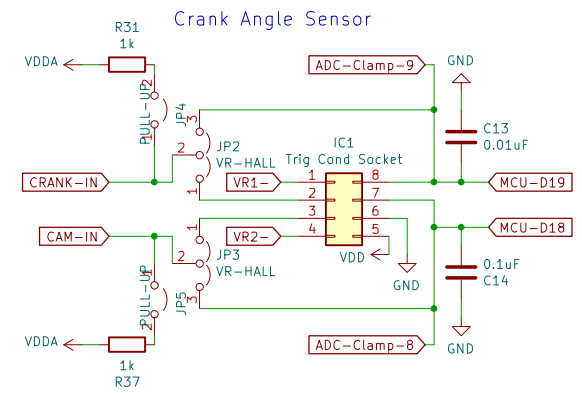
**Title: 0.3**

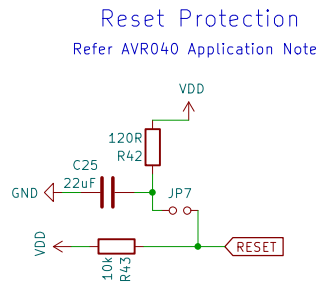
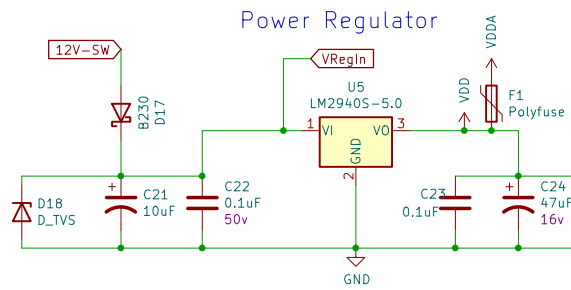
Size: A4 Date: 2024-05-05

Rev: B  
Id: 1/7



ADC-Clamp-4





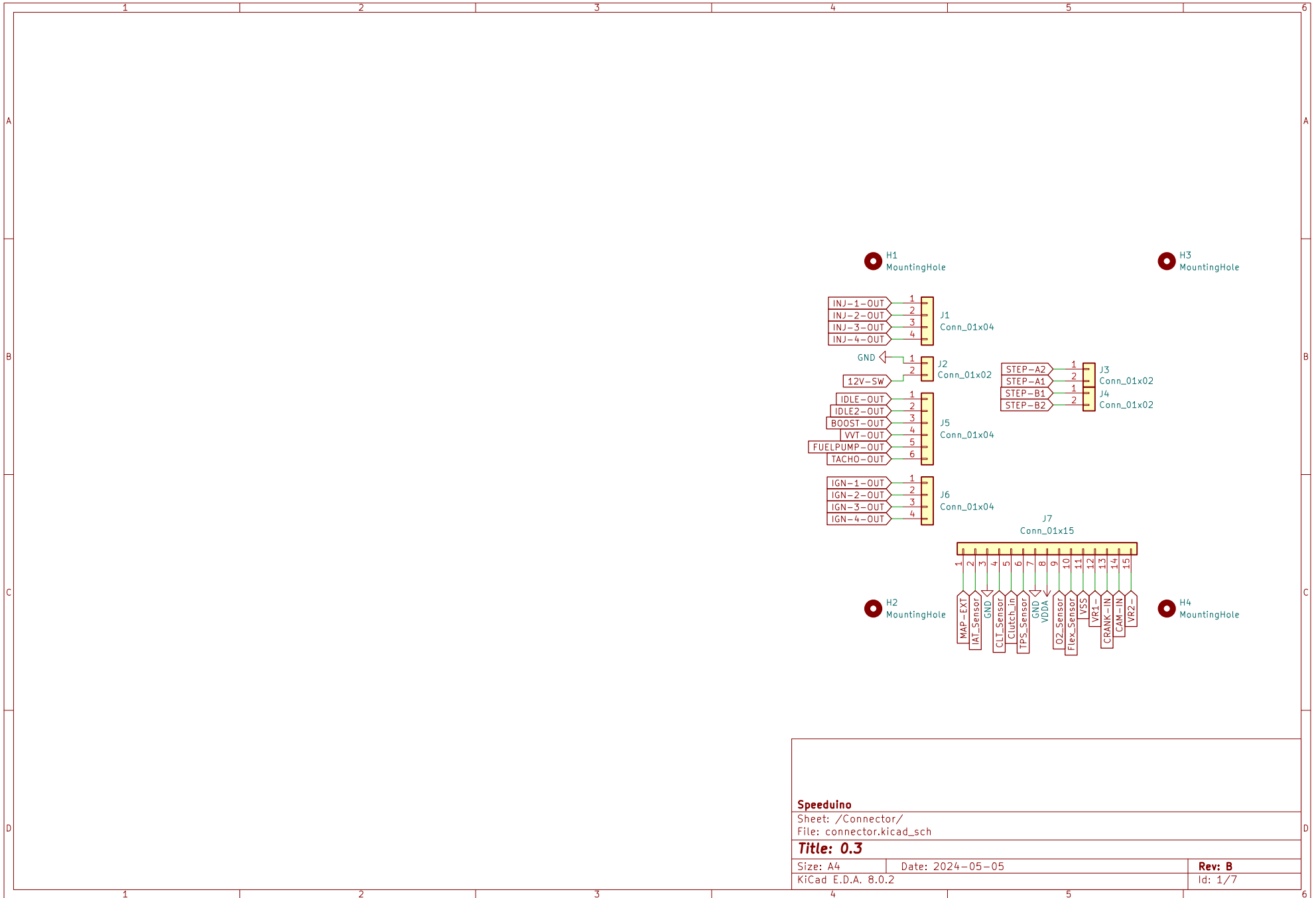
#### Speeduino

Sheet: /Power/  
File: power.kicad\_sch

**Title: 0.3**

Size: A4 Date: 2024-05-05

**Rev: B**  
Id: 1/7



**Speeduino**

Sheet: /Connector/  
 File: connector.kicad\_sch

**Title: 0.3**

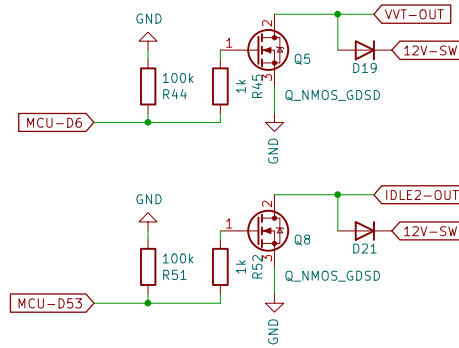
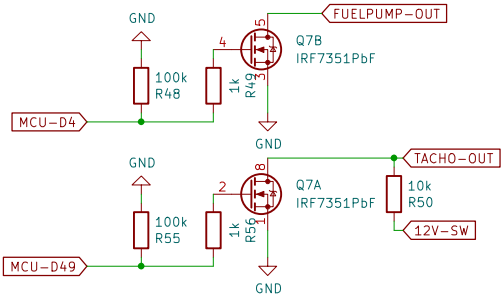
Size: A4 Date: 2024-05-05

KiCad E.D.A. 8.0.2

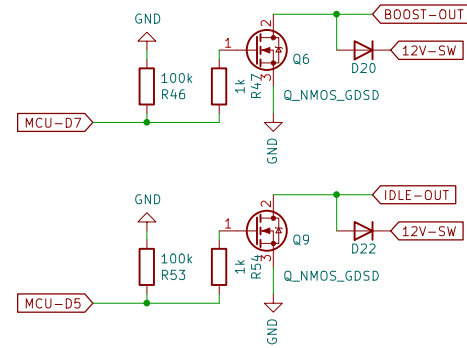
**Rev: B**

Id: 1/7

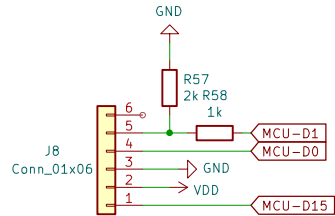
PWM Idle and Boost outputs  
Spare High Current outputs



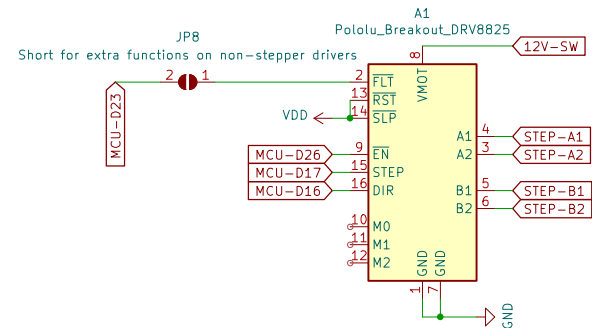
High Current Spare Outputs



HC-05 Bluetooth Connector



Stepper Idle



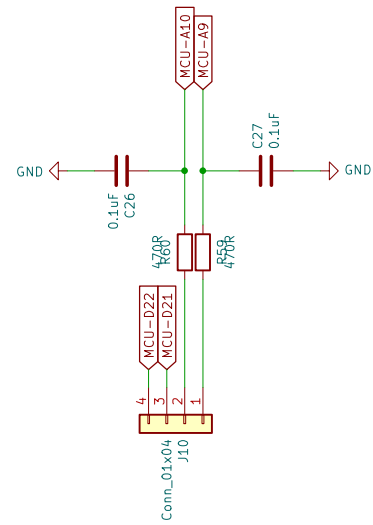
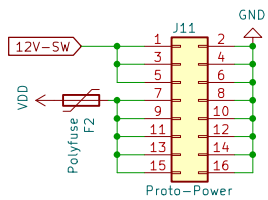
Speeduino

Sheet: /Outputs/  
File: outputs.kicad\_sch

Title: 0.3

Size: A4 Date: 2024-05-05

Rev: B  
Id: 1/7



### Speeduino

Sheet: /Proto Area/  
File: proto.kicad\_sch

**Title: 0.3**

Size: A4 Date: 2024-05-05

Rev: B  
Id: 1/7